

Technical Bulletin No. 2009-6

Wall-Y[®] – vertical green system

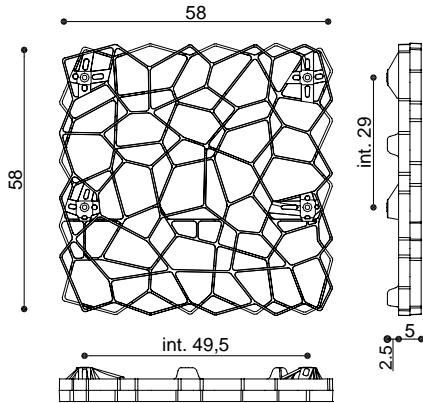


Fig. 1

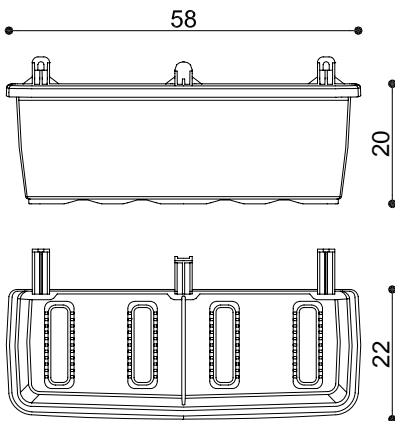


Fig. 2



Fig. 3

Product:

WALL-Y[®] is a system designed to support vertical vegetation. It is composed by a high-resistance grid made of UV-stable PE-HD, and a rectangular pot of the same material especially developed for climbing plants.

Description:

The main item of the system is a grid with an irregular design (fig. 1), pleasant to the eye even when not hidden by foliage.

The grid has integrated spacers that keep it separated from wall at a distance of 2.5 cm: This allows ventilation and encourages a better growth of climbing plants, makes it easy to install drip irrigation and is a natural thermal- and sound-insulation.

The pot (fig.2) is the accessory required for growing climbing plants suspended on the wall.

Product data:

	GRID	POT
MATERIAL	PE-HD	PE-HD
CODES	FWLYGVE5858 (green) FWLYGBI5858 (white) FWLYGTR5858 (transparent)	FWLYVVE0020 (green) FWLYVBI0020 (white) FWLYVTR0020 (transparent)
DIMENSIONS	58 x 58 x H7.5 cm (3 pz./m ²)	58 x 22 x H20 cm
GRID THICKNESS	5 cm	-
SPACER DEPTH	2.5 cm	-
WEIGHT	1,5 kg / pc.	1,2 kg / pc.
POT VOLUME	-	20 Litres
HORIZONTAL DISTANCE BETWEEN FIXING HOLES	49.5 cm	49.5 cm
VERTICAL DISTANCE BETWEEN FIXING HOLES	29 cm	-
FIXING HOLE DIAMETER	Ø 10 mm	-
FASTENERS INCLUDED	2x Ø8 mm x 60 mm anchors, with washer	2x Ø8 mm x 80 mm anchors, with washer
AVAILABLE COLOURS*	Green, white, transparent	Green, white, transparent

*Custom colours can be delivered on demand

How to install:

Turn the grid as shown in Fig. A and place it against the wall in the position in which it will be installed. Mark the position of the fixing holes with a felt-tip pen.

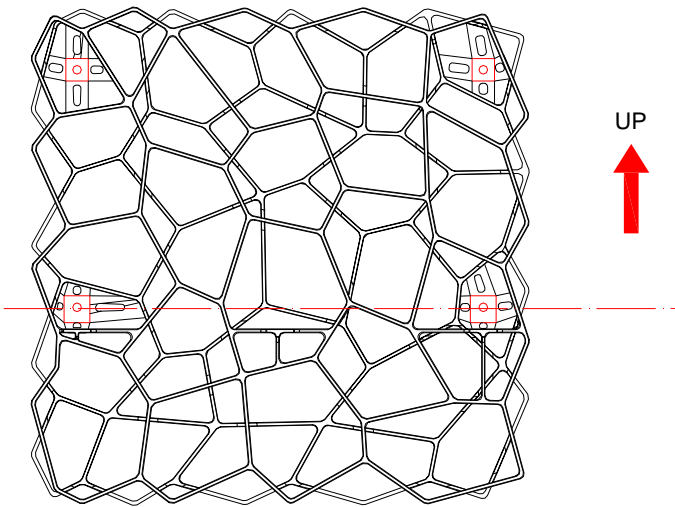


Fig. A

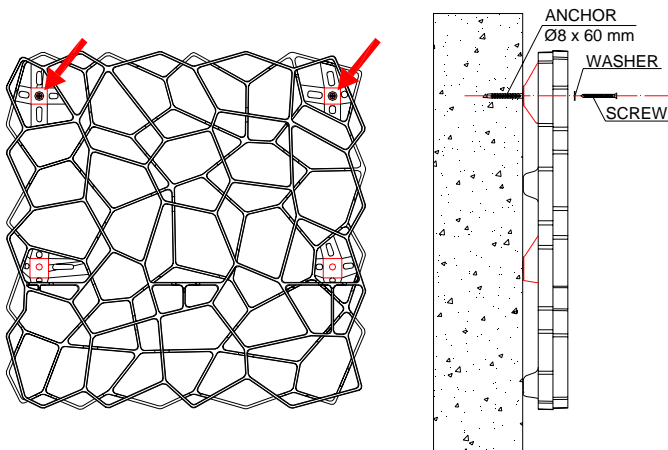


Fig. B

Drill holes of dia. $\varnothing 8$ mm as shown in Fig. B; fix to the wall the grid with the expansion anchors shipped with the panel ($\varnothing 8$ mm x 60 mm).

N.B. in case of insulating panels on the outside of the wall, use expansion anchors of length as required by the thickness of the insulation.

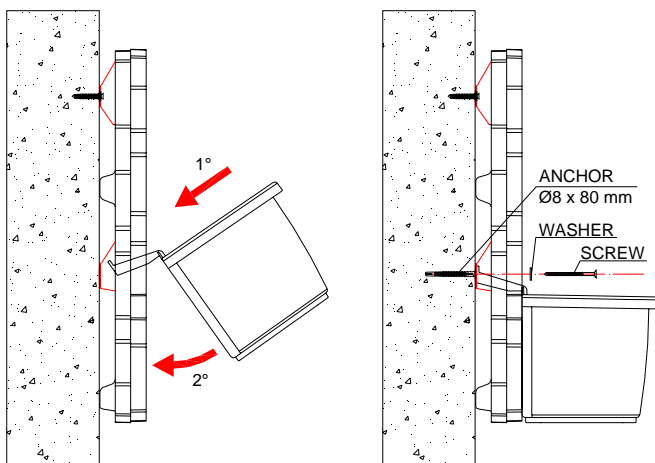


Fig. C

Insert the pot in the grid as shown in Fig. C, then fix to the grid (and wall) using the expansion anchors shipped with the pots ($\varnothing 8$ mm x 80 mm)

N.B. in case of insulating panels on the outside of the wall, use expansion anchors of length as required by the thickness of the insulation.

It's possible to fit on pot only per grid.

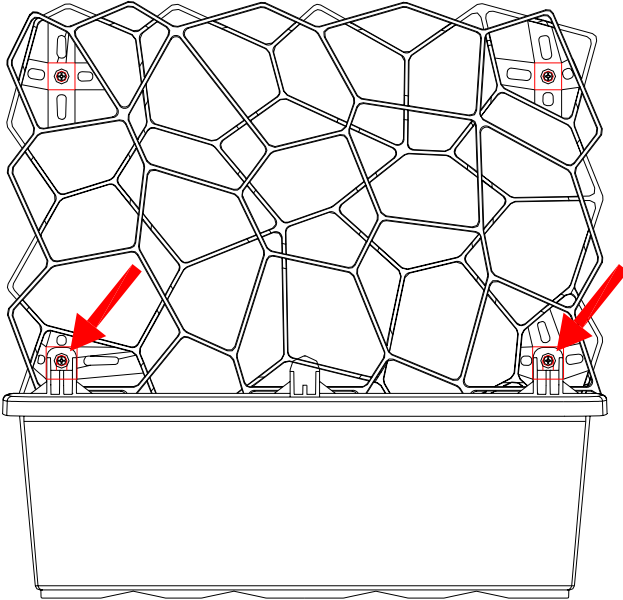


Fig. D

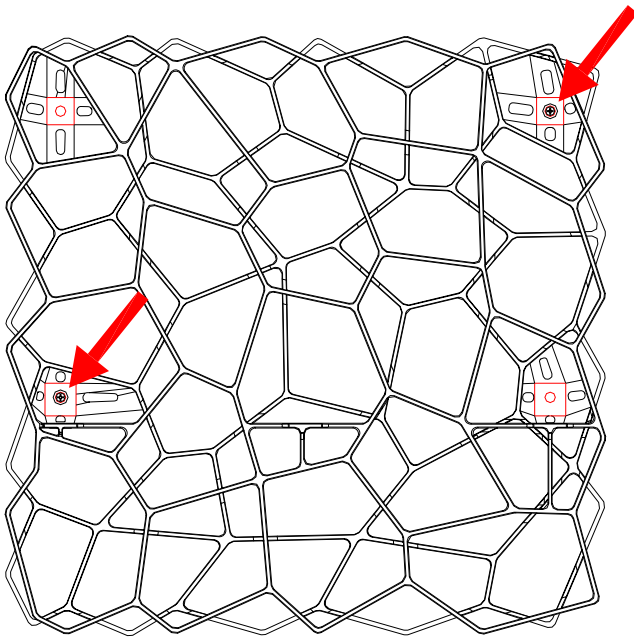


Fig. E

The grids that don't carry any pot are fixed to the wall with two anchors $\varnothing 8 \times 60$ mm shipped with the part, as shown in Fig. E.

N.B. in case of insulating panels on the outside of the wall, use expansion anchors of length as required by the thickness of the insulation.

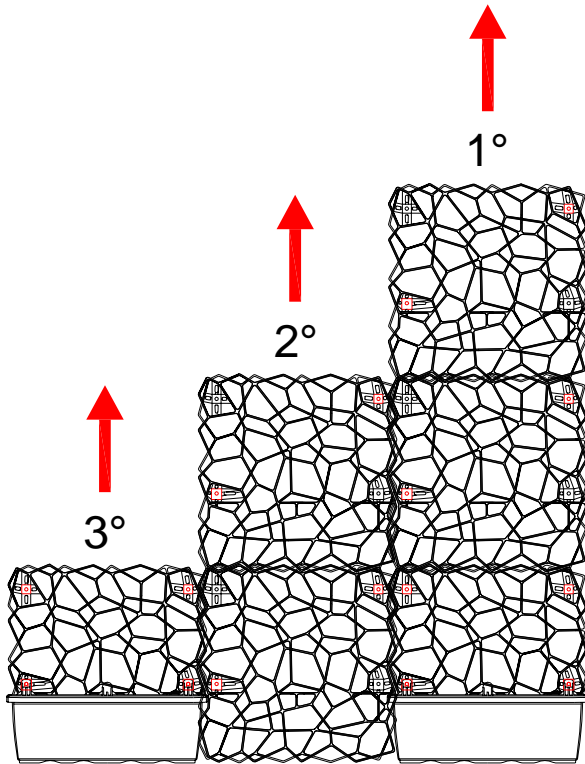


Fig. E

Install the Wall-Y® following the order shown in the diagram in Fig. E.

For best growth result fit 1 pot every 4 grids in vertical direction, and every 1 or 2 grids in horizontal direction (depending from the plant species chosen).